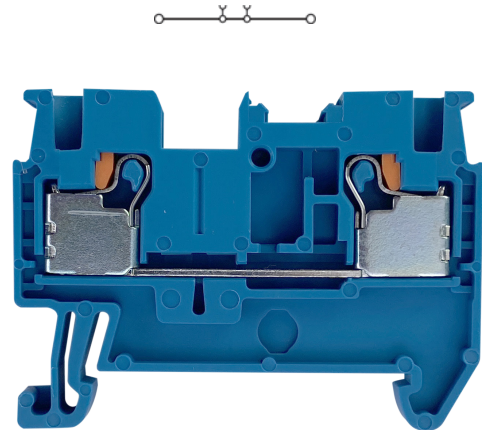


Push-In Terminal Block

Features

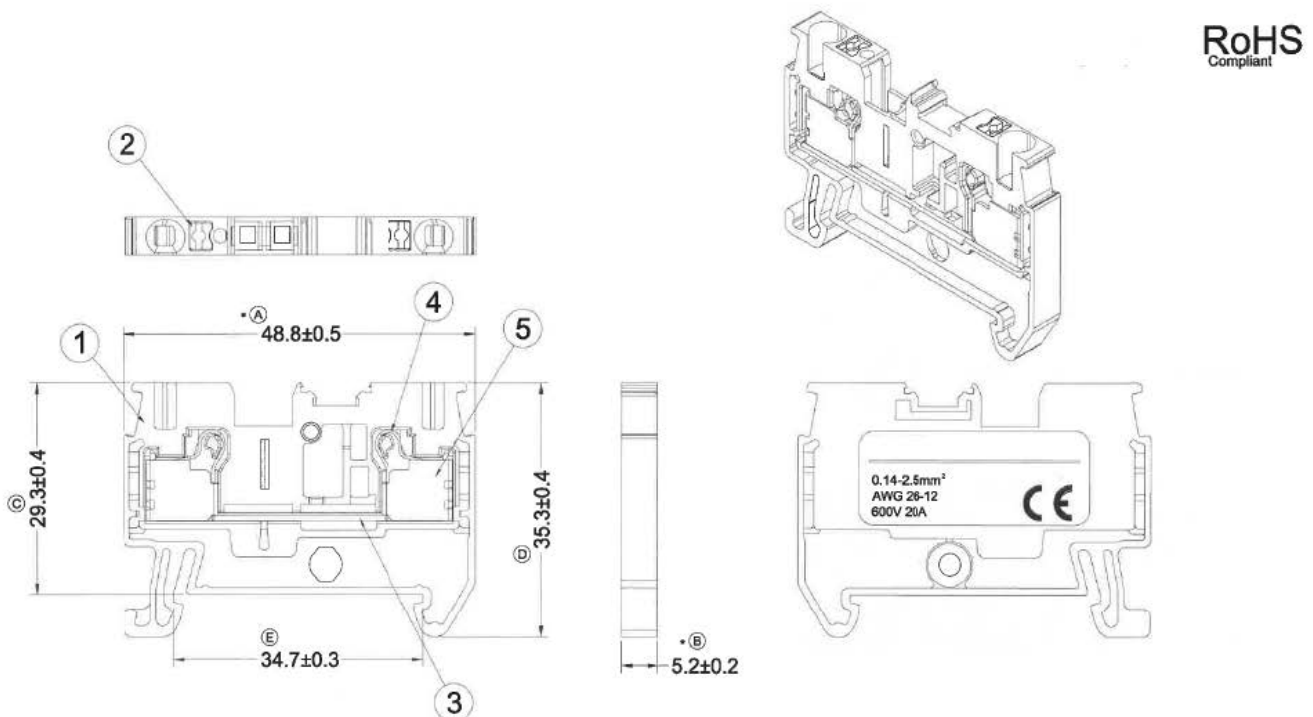
- Space-saving design
- Vibration proof anti-loosening wire connection with pre-stressed spring clamp
- Easy to operate, fast wiring installation with top wire entry
- Easy mounting and dismounting from the terminal rail
- Corrosion-proof terminal points
- Low contact resistance
- Easy for the extension of terminal connection
- Easy handling and safe connection
- Connecting without tools
- Colored plates ensure safety connections and operations



Specification

Rated Current & Voltage	20 A, 600 V (UL B,C Class) 24 A, 800 V (IEC)
Wire Size	26 ... 12 AWG, 0.14 ... 2.5 mm ²
Impulse Withstand Voltage	8 kV
Insulation Stripping Length	8 ... 10 mm
Number of Positions	2
Operating Temperature	-40 ... 105 °C
Terminal Block Colour	Blue
Wire Connection Method	Push-In

Drawing



Material Specification

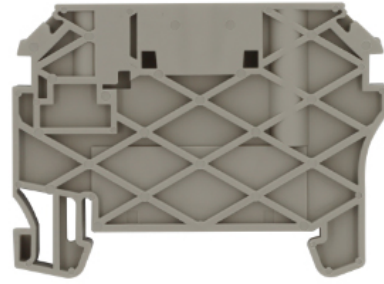
1 - Insulating Body	Polyamide 66
2 - Button	PBT
3 - Terminal	Copper, Tin Plated
4 - Spring	Stainless
5 - Shell	Steel, Zinc Plated

Push-In Terminal Block

Accessories



End Plate
RND 205-01392



End Bracket
RND 205-01394

Art Nr.
RND 205-01385